

**Mylar Speaker (Internal Magnet)**

**Model: MI50TS-17H1.0W8**



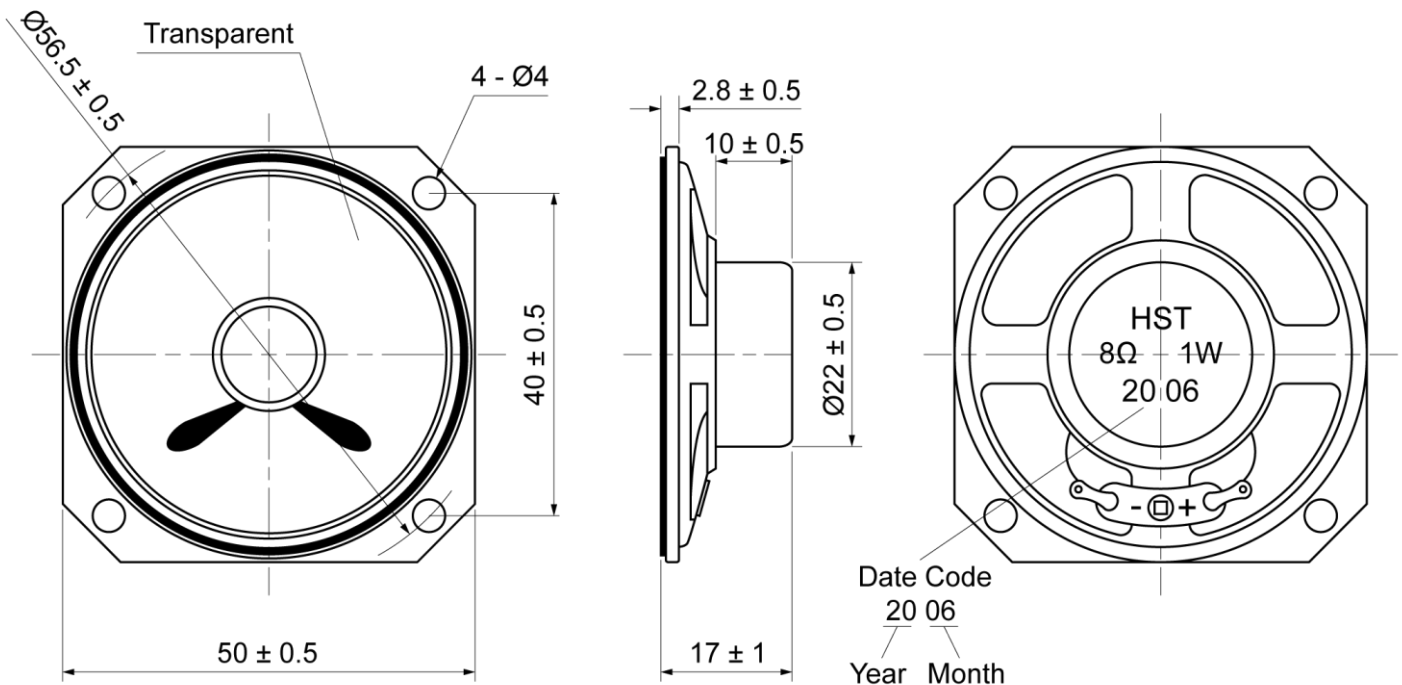
**ELECTRICAL SPECIFICATIONS**

	Condition	Parameter	Unit
Sound Pressure Level	at 0.1W, 0.1M [at 0.6, 0.8, 1.0, 1.2 KHz]	95 ± 3	dB
Impedance	at 1V, 800Hz	8 ± 15%	Ω
Rated Input Power		1	W
Max Input Power		2	W
Resonant Frequency (Fo)	at 1V	650 ± 20%	Hz
Frequency Range		Fo ~ 4500	Hz
Buzzer & Rattles	not be audible at sine wave between Fo ~ 4.5KHz	2.82	V
Operating Temperature		-30 ~ 60	°C
Magnet		Nd-Fe-B	
Frame Material		Metal	
Cone Material		Mylar (PET)	
Weight		30	g

**MECHANICAL DRAWING**

Dimensions in mm

Tolerance ±0.5mm Except Specified



**Mylar Speaker (Internal Magnet)**

**Model: MI50TS-17H1.0W8**

**FREQUENCY RESPONSE CURVE**

